




# SAVANT

## Savant Touch 8 Inch Control Screen (ITP-E8000x-30) Quick Reference Guide

### Box Contents

- (1) Touch 8 Inch Control Screen (ITP-E8000x-30)
- (1) Installation Kit
  - (1) Installation Template (009-1561-xx)
  - (1) Mounting Bracket (For standard 2-gang electrical box)
  - (4) Mounting Bracket Screws (6-32 x 1 in.)
- (1) Regulatory Statement (009-1950-xx)

### Specifications

Environmental	
Temperature	32° to 104° F (0° to 40° C)
Humidity	10% to 90% Relative Humidity (non-condensing)
Dimensions and Weights	
Height	5.84 in (14.84 cm)
Width	8.80 in (22.35 cm)
Depth	Device: 1.43 in (3.63 cm) Mounting: 0.62 in (1.58 cm)
Weight	Net: 0.95 lb (0.44 kg) Shipping: 1.85 lb (0.83 kg)
Power	
Power over Ethernet (PoE)	802.3at compliant (PoE+)
Power Consumption	Average: 5.14W Maximum: 6.76W
Compliance	
Safety and Emissions	FCC Part 15  CE  WEEE 
RoHS	Compliant
Minimum Supported Release	
Savant OS	da Vinci 9.2.2

### Network Requirements

Savant requires the use of business class/commercial grade network equipment throughout the network to ensure the reliability of communication between devices. These higher quality components also allow for more accurate troubleshooting when needed.

Connect all Savant devices to the same local area network (LAN) or subnet as the Host. Savant recommends not implementing any type of traffic management, packet shaping, or similar within the network topology for Savant devices, as this may interfere with performance.

### Network Configuration

To ensure that IP addresses do not change due to power outage or other network interruptions, Savant recommends using DHCP reservation at the router. Using this method, all IP addressing can be managed from a single UI, avoiding the need to access devices individually.

Setting DHCP reservation varies from router to router. Refer to the documentation for the router to configure DHCP reservation.

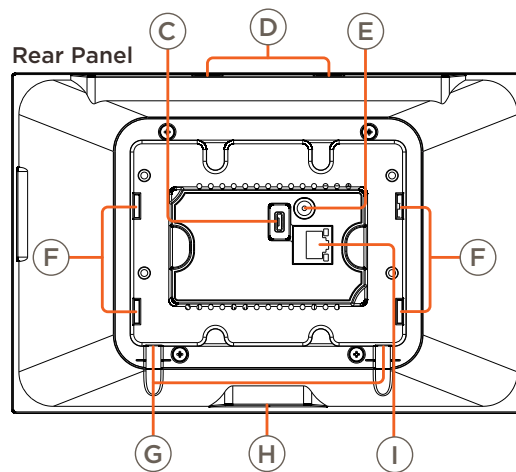
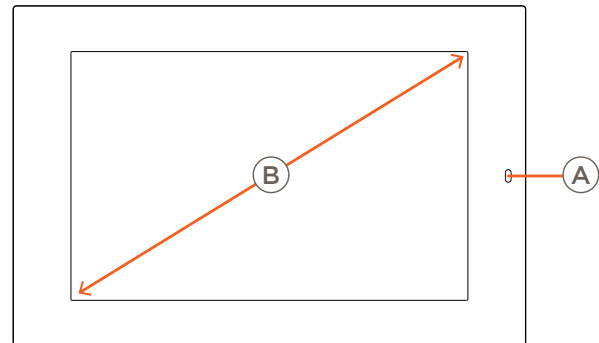
### Network Changes

If the IP addressing range has changed for the local network, Savant recommends rebooting the device via the Settings menu to refresh the network connection and ensure optimal communication:

Navigate from the Home Screen **Settings > Touch Panel Settings > Reboot**

### Device

#### Front Panel



<b>A</b> Proximity Sensor	Sensor (proximity) mounted in front panel will wake up the display when movement is detected in front of display. Sensor operating at 940 nm, affective range about 3.28 ft (1 m).
<b>B</b> Display	Screen Size: 8.0 in (20.30 cm). Resolution: 1280 x 800   16.7M colors
<b>C</b> Micro USB	Not Used.
<b>D</b> Embedded Speaker	For audio output.
<b>E</b> Alternate Power Input	Not Used
<b>F</b> Mounting Slots	Align the mounting frame hooks and press down to seat.
<b>G</b> Captive Screws	Used to secure touch panel to bracket after mounting frame hooks have been seated.
<b>H</b> Embedded Microphone	For voice input.
<b>I</b> Ethernet	8-pin RJ-45 port: 10/100/1000 Base-T auto-negotiation port with link and activity LEDs. Link LED: <b>Orange</b> - Link is established. <b>Off</b> - No link established Link Activity LED: <b>Green Blinking</b> - Indicates data activity. <b>Off</b> - No Activity

## Supported Orientations

**Landscape** – The ITP touch panel must be installed with the proximity sensor position on the right hand side.

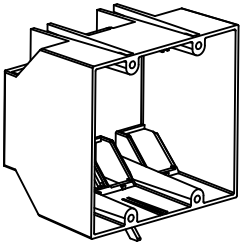
**Portrait** – The ITP touch panel must be installed with the proximity sensor at the top.

## Mount the Bracket

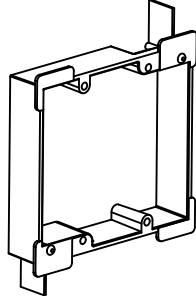
The Savant In-Wall Touch Panel is designed to be mounted using either a standard 2-gang electrical box or low voltage 2-gang bracket.

1. Mount a 2-gang standard electrical box or low voltage bracket to an existing wall. Recommended height to center of box is between 57 and 65 inches (145 – 165 cm) above a finished floor.
2. Secure the mounting bracket to the electrical box/bracket using the four 6-32 x 1 inch screws provided. Position the touch panel with mounting tabs facing outward.

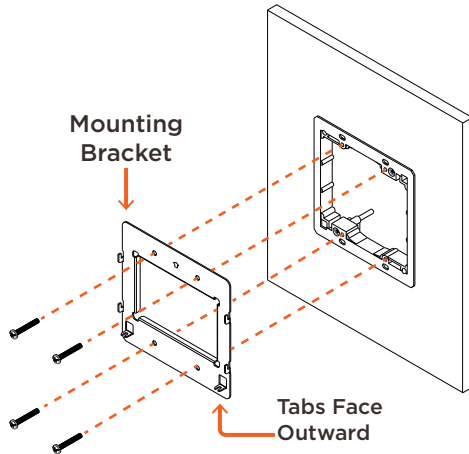
2-Gang Electrical Box



2-Gang Low Voltage Bracket

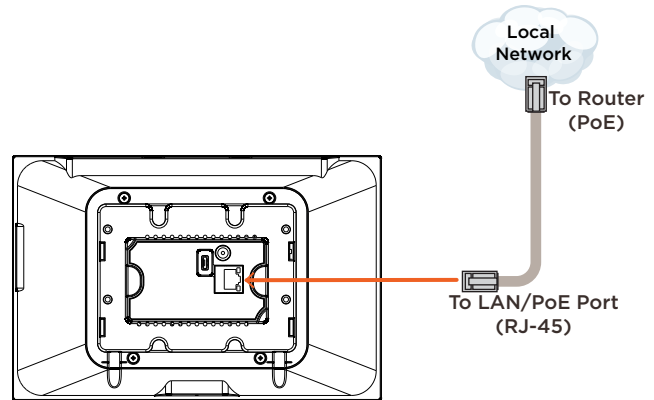


**NOTE:** If the Touch Panel is going to be installed with a Portrait orientation, the electrical box or bracket will need to be rotated



## Make Connections

Connect a Cat 5e/6/7 Ethernet cable (T568A, T568B) to the RJ-45 LAN/PoE port on rear of touch panel. See image below.

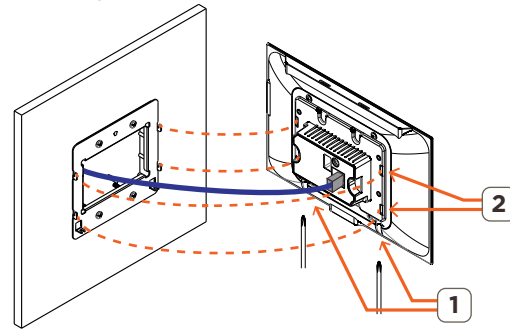


**! IMPORTANT NOTE!** If a PoE network router is not available, a PoE network injector can be used.

## Secure Panel to Bracket

Once cables are connected to the rear of touch panel, the panel can be secured to the mounting bracket installed earlier.

1. Loosen the captive screws on the bottom of the touch panel a few turns to allow the panel to slide into the mounting bracket.
2. Align the mounting frame hooks with the mounting slots.
3. Gently pull down the unit to seat the mounting frame hooks.
4. Tighten the two captive screws to secure the touch panel to the mounting bracket.



## Apply Power

The ITP-E8000 touch panel is powered using PoE via Cat 5e/6/7 Ethernet cable. Connect one end of the Ethernet cable to a PoE-enabled network switch or router, and the other end to the data connection on the back of the ITP. Once the connection is made, the ITP will be powered on, and an IP address will be automatically assigned via DHCP.

Once the ITP is powered and an IP address has been assigned, the touch panel can be added to a RacePoint Blueprint® configuration. For details, refer to the [Savant In-Wall Touch Panel Deployment Guide](#) (009-1475-xx), available on the [Savant Customer Community](#).